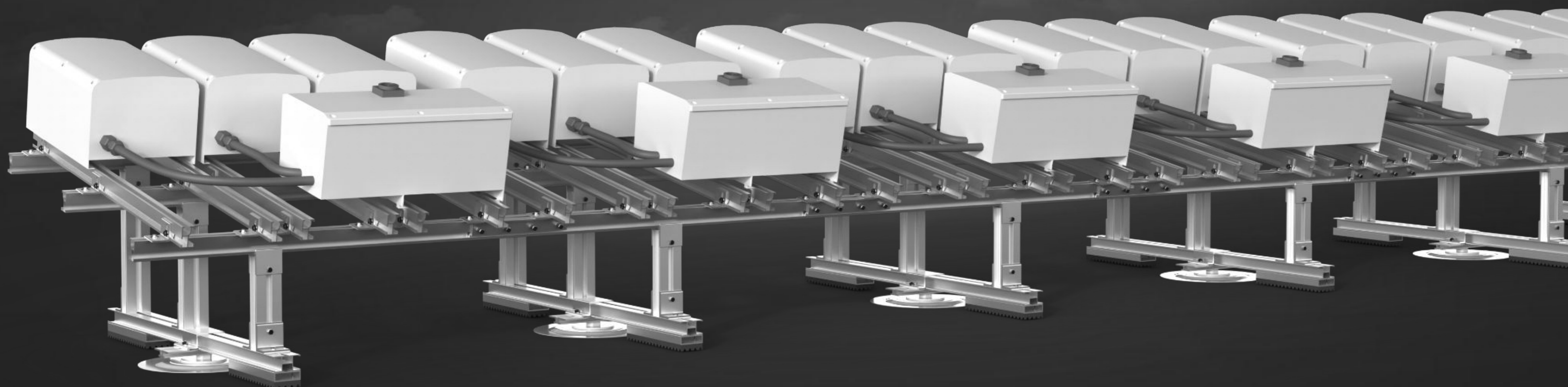


SUNRAIL™ INVERTER RACK

FOR FLAT ROOFS



BENEFITS

- ✓ FAST ASSEMBLY :: Pre-assembled to make it easier to build on-site
- ✓ EASY WIRING :: Elevated for an easy access to the wire management
- ✓ HIGH COMPATIBILITY :: Designed to support any type of inverter
- ✓ BUILT TO LAST :: Aluminium rails for longevity



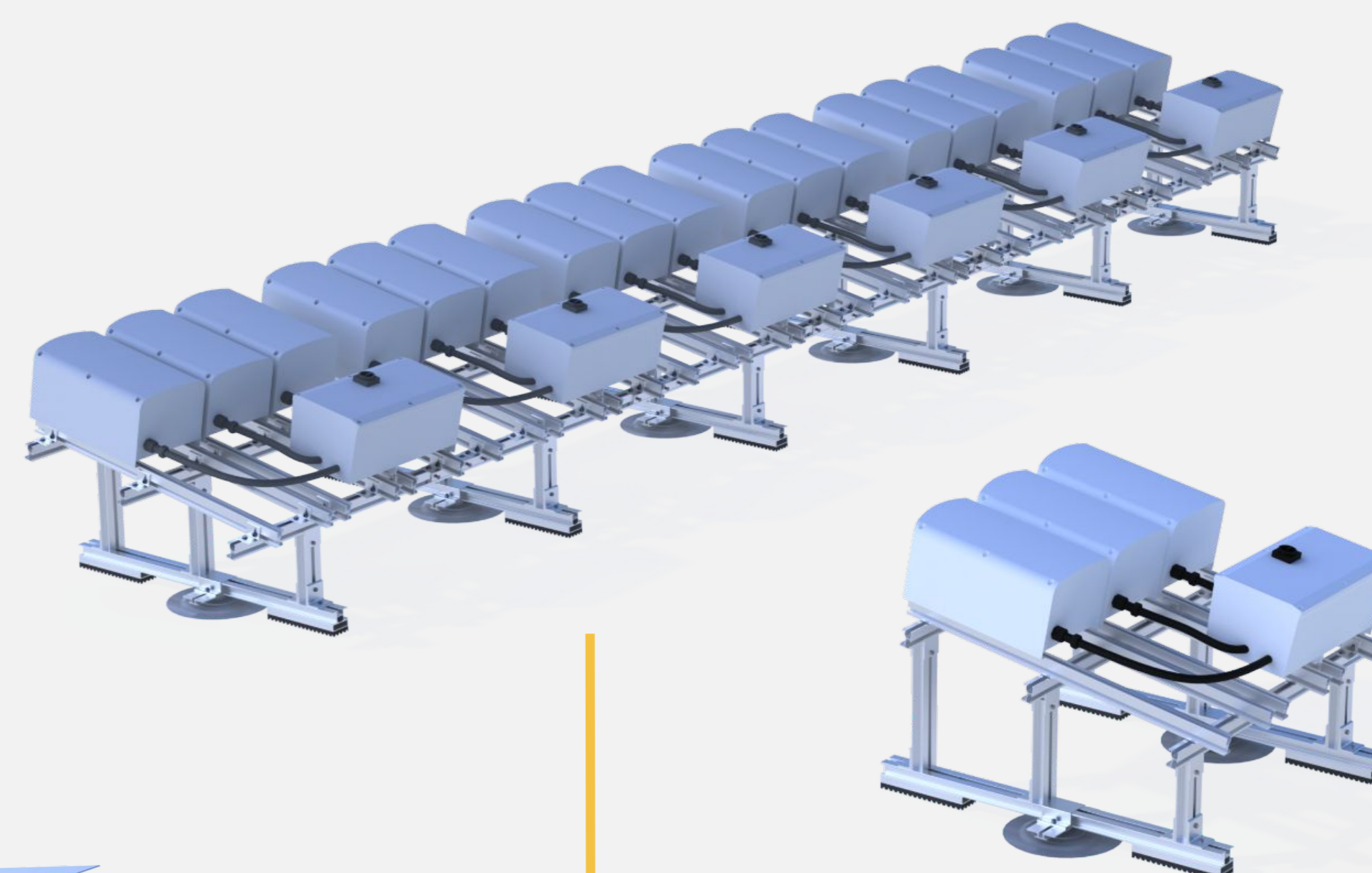
FEATURES

- All aluminum rails and stainless steel bolts
 - ↳ Lightweight and corrosion-resistant structure
 - ↳ Reduced O&M costs
- Elevated, open-back configuration
 - ↳ Keeps inverters, membrane & roof safe
 - ↳ Improves airflow and prevents moisture build-up
 - ↳ Simplified O&M operations
- 20-year legal warranty – engineered for 30+ year lifespan
- Rubber pad protection
 - ↳ Protects roof membrane
 - ↳ Preventive O&M benefits
- Optimized design
 - ↳ Pre-assembled before shipping
 - ↳ One Skid shipping
 - ↳ Easy adaptation to the roof load
 - ↳ Compatible to any type of Inverter



PRE-ASSEMBLED BEFORE SHIPPING ON-SITE

- WITH INVERTER COVER
 - IMPROVED AIRFLOW
 - BETTER PERFORMANCE
 - BETTER SAFETY



SCALABLE FROM 1 TO 6 INVERTER UNITS PER ROW

SUNRAIL™ INVERTER RACK

FOR FLAT ROOFS

KEY SPECIFICATIONS

Material

Aluminum rails and components,
stainless steel bolts and nuts

Max Snow Loads

Can be designed for any snow loads
(up to 100 PSF)

Max Wind Loads

Can be designed for any wind loads
(up to 180 MPH)

Tilt Angle

10°, 15° and 20°

Inverter Orientation

According to the manufacturer's recommendations

Inverter Compatibility

SolarEdge Three Phase Inverters with Synergy
Technology, and more: SE80KUS, SE100KUS,
SE110KUS, SE120KUS, etc ...

Anchors Compatibility

All kinds of roof anchors: OMG, U-Anchor, S-5!,
Facet, etc.

Roof Type Compatibility

Compatible with all flat roof types (built-up roof,
TPO, EPDM membranes, asphalt, metal, standing
seams). Up to 7° slope.

Dead Loads on Roof

5-15 PSF

Racking Total Weight

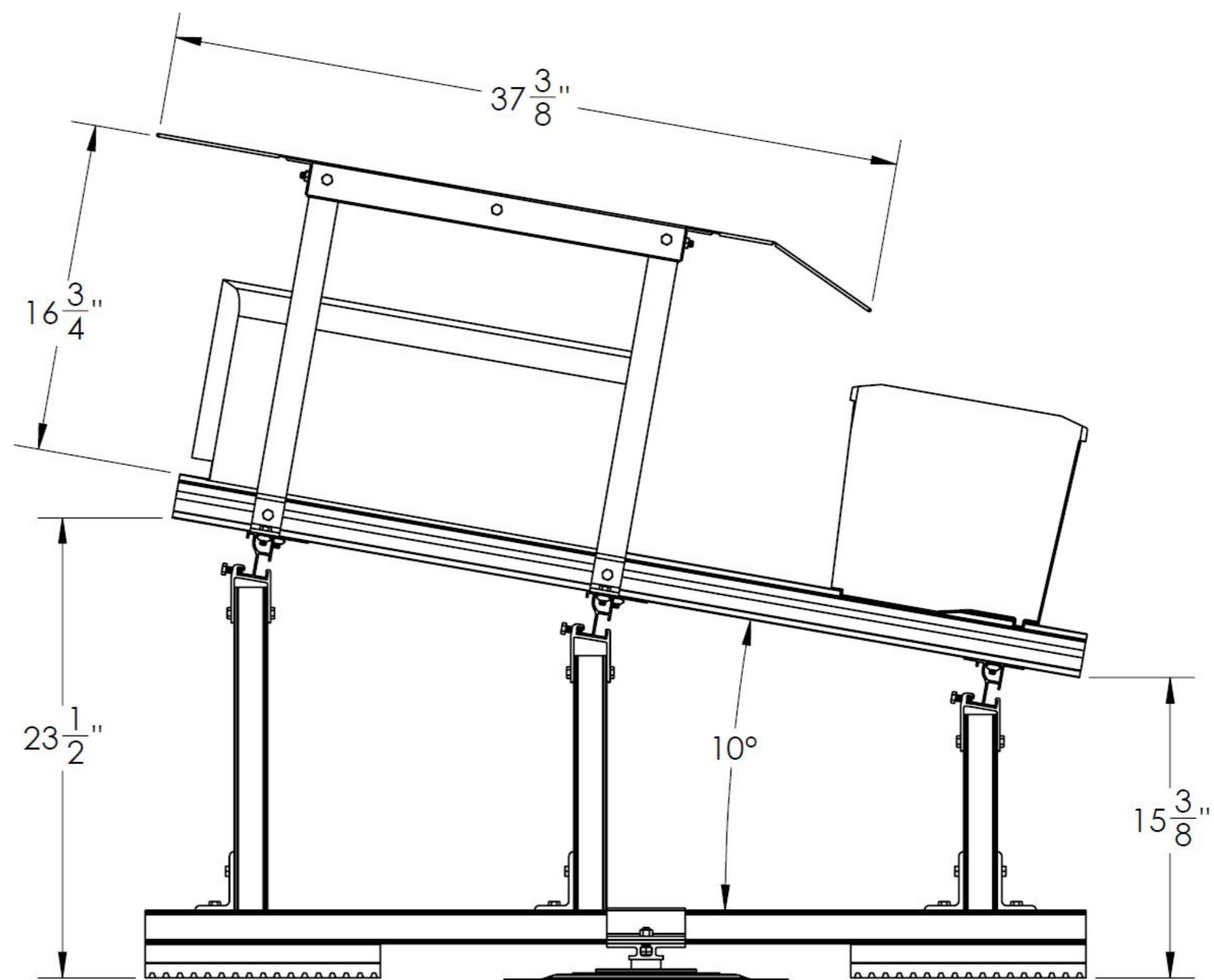
60 lbs (for one Inverter Rack unit)

Footprint

15 sq.ft (for one Inverter Rack unit)

STANDARD CONFIGURATION

opsun

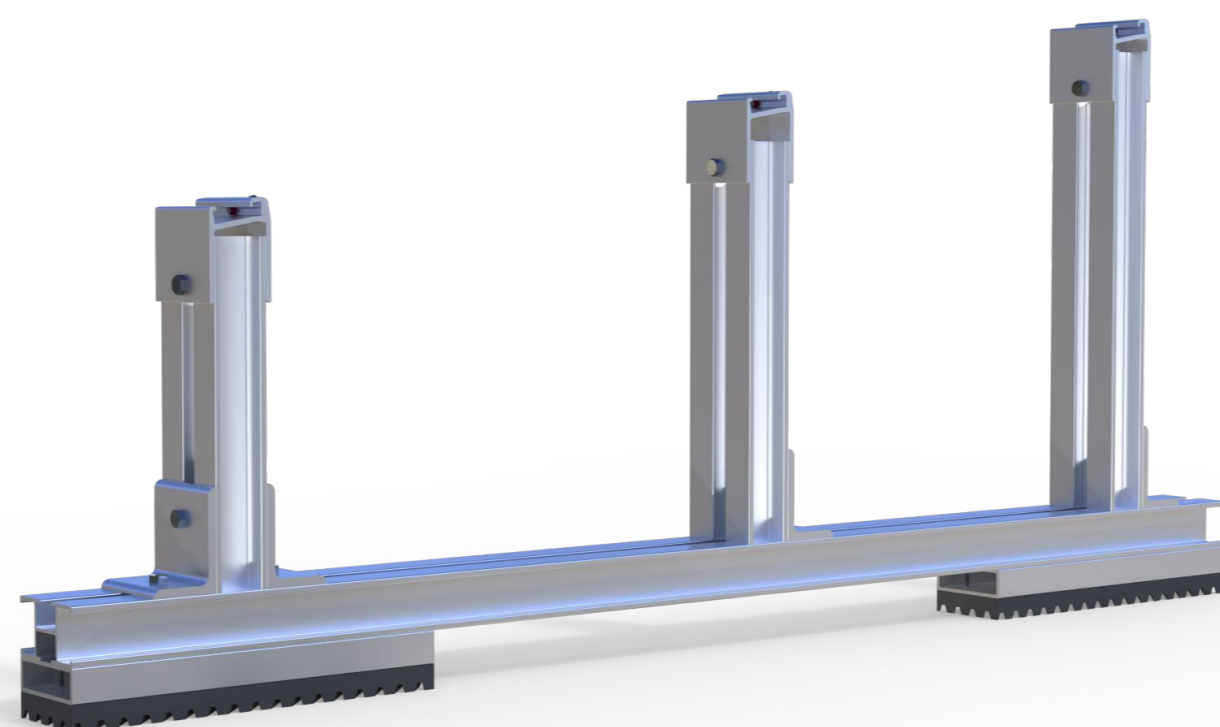


SYSTEM COMPONENTS

Inverter Cover Top



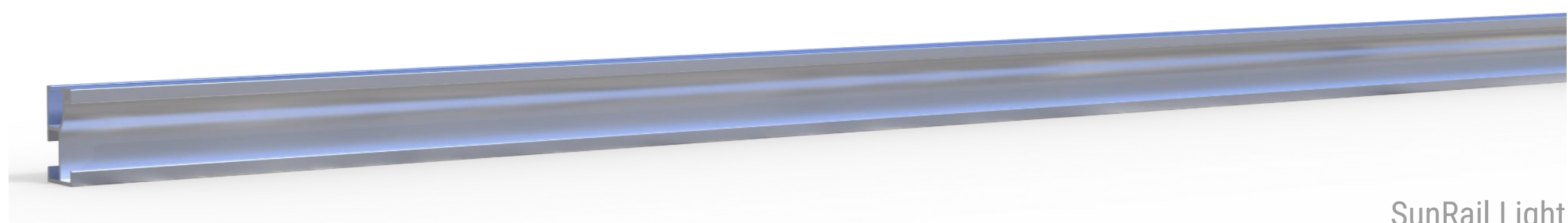
Base Rail Assembly



Inverter Cover Attachment

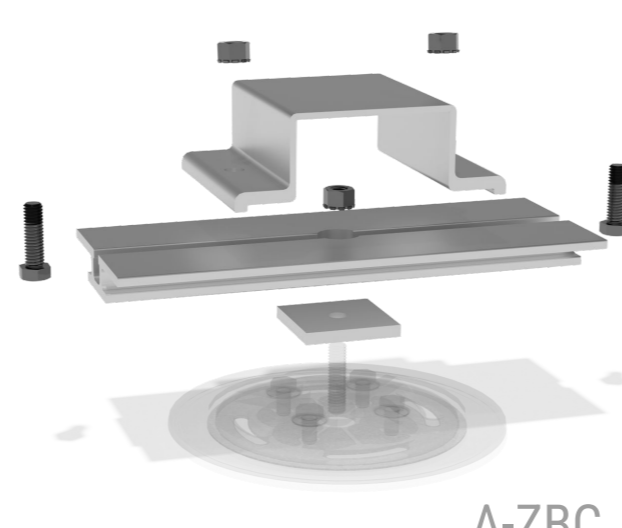


CrossRail & Inverter Rack Rail



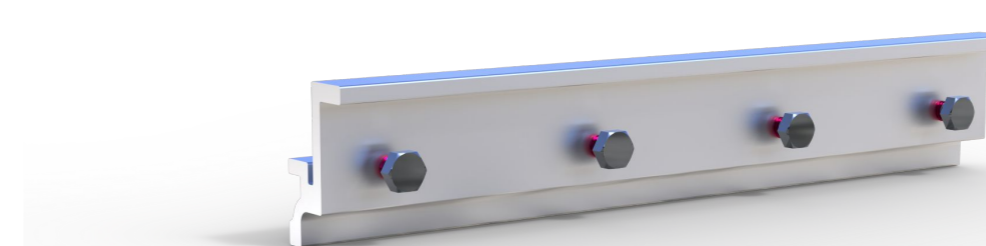
SunRail Light 2-SRL2

Anchor



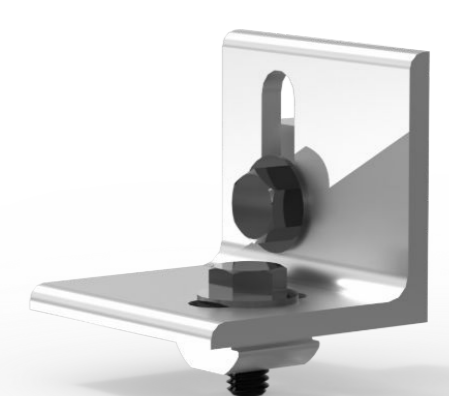
A-ZBC

CrossRail Linker



SRL-RL2

Corner Clamp



A-SRL-CC2



opsun Systems Inc.

www.opsun.com

418-651-4040